

Article datasheet

TOP-Marker for TOP Turning Knob

Article-No.: 053.05.007

Manufacturer: OKW Gehäusesysteme

Manufacturer article-no.: A1105007/BEIGE

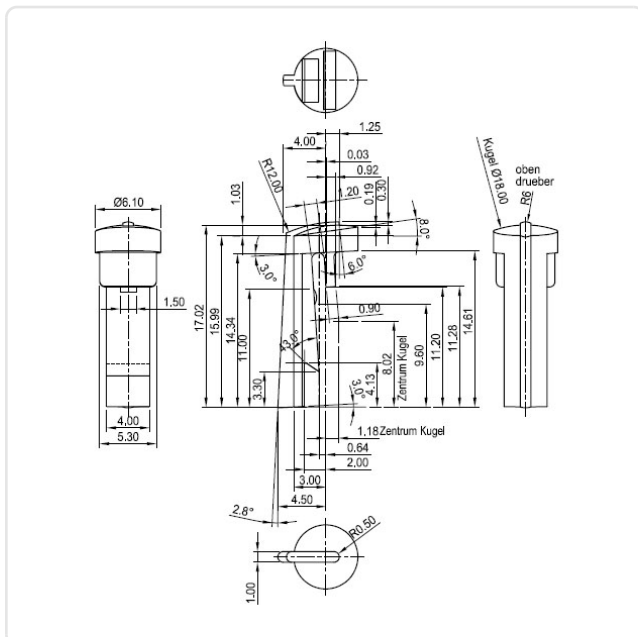


Color: Gray
Material: PA 6.0
Material Group: Kunststoff
Model: Marker for TOP Knob
Weight: 0.19g
Conformities:



You can find all information on the web on our article detail page

Image may be similar



Would you like individual advice?

We look forward to your email to products@ettinger.de.

Subject to change and errors.