

Article datasheet

## PC Mount Screw Terminal M3 15 Amps Brass tinned with kicked solder pins

Article-No.: 013.42.322

Manufacturer: Keystone Electronics

Manufacturer article-no.: 7689

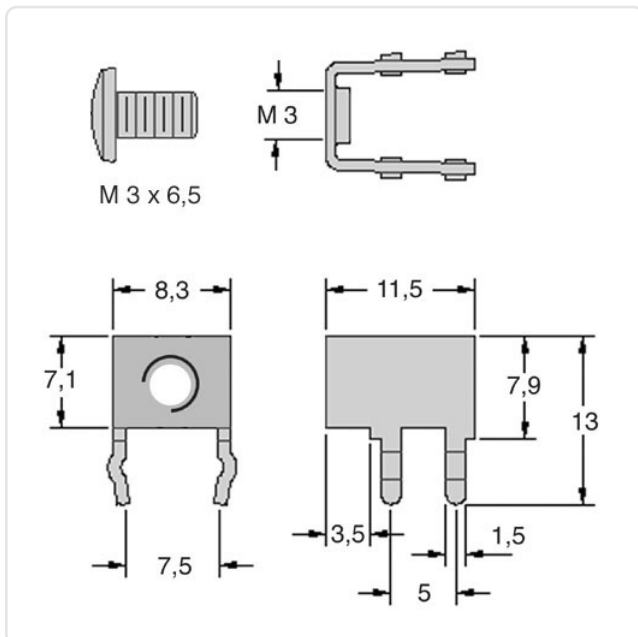


Image may be similar

Amperage [A]: 15  
 Finish: Tin-Plated  
 Grid [mm]: 5.0  
 Material: Brass  
 Material Group: Messing  
 PCB Hole Ø [mm]: 1.9  
 Thread Size: M3  
 Weight: 2.14g  
 Conformities:



You can find all information on the web on our article detail page



Would you like individual advice?

We look forward to your email to [products@ettinger.de](mailto:products@ettinger.de).

Subject to change and errors.