

Article datasheet

## Cable Tie $\varnothing$ 28/125/107mm Polyethylen natural - not UL rated

Article-No.: 072.48.281

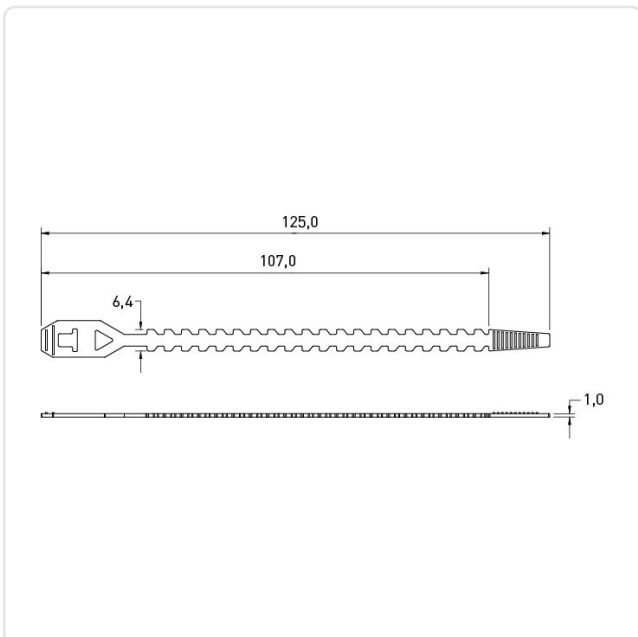


Image may be similar

Bundle Diameter [mm]: 21,0-50,0  
Color: Natural  
Length [mm]: 125  
Material: PE - Polyethylene  
Model: Ball Cable Tie  
Width [mm]: 6.4  
Weight: 0.71g  
Conformities:



You can find all  
information on the web on  
our article detail page



Would you like individual advice?

We look forward to your email to [products@ettinger.de](mailto:products@ettinger.de).

Subject to change and errors.