

Article datasheet

Flanged Bearing $\varnothing 8/11/16 \times 7/2$ mm Polyamid 6.6 natural UL94-V2

Article-No.: 005.99.088

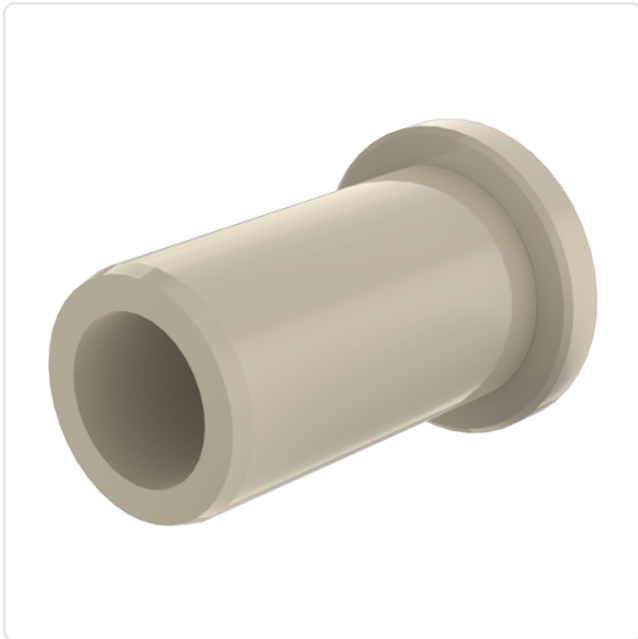


Image may be similar

Color: Natural
Flammability Class: UL94-V2
Inner Diameter [mm]: 8
Length [mm]: 7
Lug Diameter [mm]: 11
Material: PA 6.6
Material Group: Plastic
Model: With High Lug
Outer Diameter [mm]: 16
Weight: 0.62g
Conformities:



You can find all information on the web on our article detail page

Would you like individual advice?

We look forward to your email to products@ettinger.de.

Subject to change and errors.

