

Article datasheet

## Solder Terminal Pin $\varnothing 1.3 \times 12.0 \text{mm}$ Brass tinned - square press-in shaft

Article-No.: 013.14.425

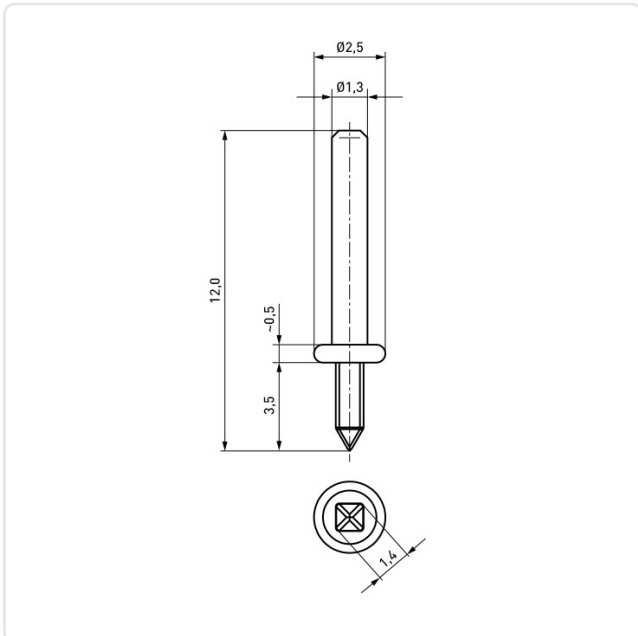


Image may be similar

Diameter [mm]: 1.3  
Finish: Tin-Plated  
Length [mm]: 12  
Material: Brass  
Material Group: Brass  
Model: square  
PCB Hole  $\varnothing$  [mm]: 1.3  
Weight: 0.15g  
Conformities:



You can find all information on the web on our article detail page



Would you like individual advice?

We look forward to your email to [products@ettinger.de](mailto:products@ettinger.de).

Subject to change and errors.