

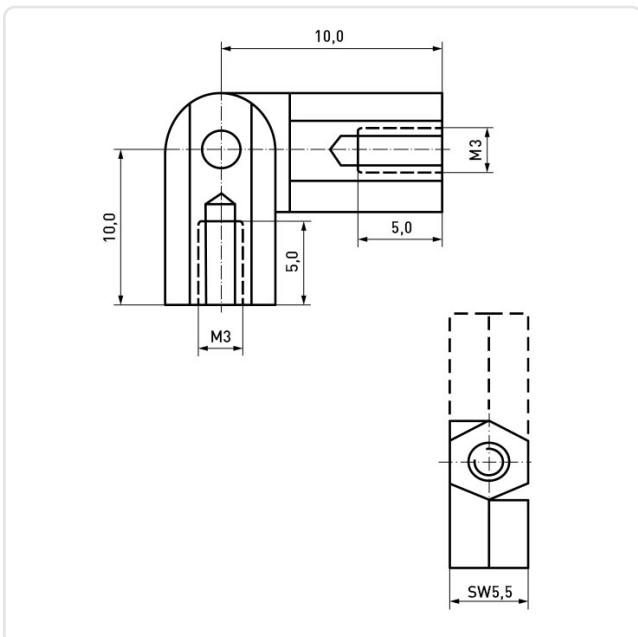
Article datasheet

Hinged-Standoffs M3/SW5,5x20-10/10 Steel zinc-plated

Article-No.: 005.23.201



Image may be similar



Finish:	Galvanized, Blue, 5 µm, A2K
Leg Length 1 [mm]:	10
Leg Length 2 [mm]:	10
Length [mm]:	20
Material:	Steel
Material Group:	Steel
Model:	Female/Female
Thread 1 Size:	M3
Thread 2 Size:	M3
Weight:	3.02g
Conformities:	



You can find all
information on the web on
our article detail page

Would you like individual advice?

We look forward to your email to products@ettinger.de.

Subject to change and errors.