

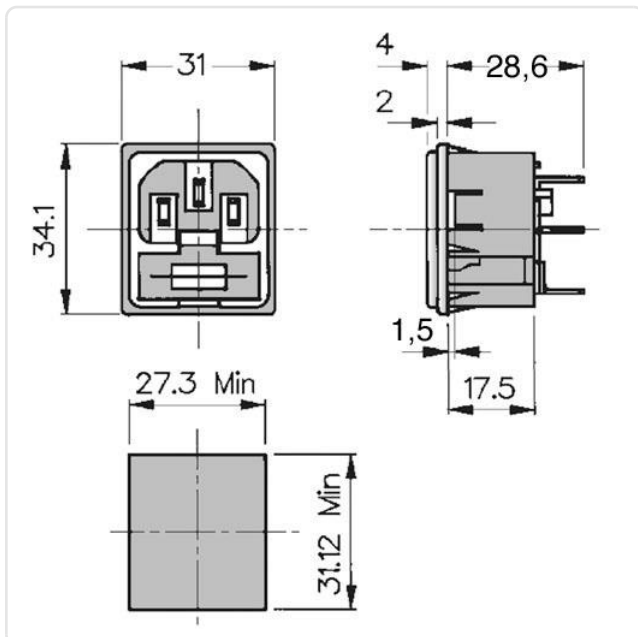
Article datasheet

IEC Power Inlet Fused 1-pole 5x20mm Snap-In 1.0mm/2.8x0.8mm terminals

Article-No.: 039.73.220



Image may be similar



Amperage [A]: 10

Color: Black

Connections: 2.8x0.8

Fuse Size [mm]: 5.0x20.0

Model: Plug, Snap-In Mounting

Conformities:



You can find all
information on the web on
our article detail page

Would you like individual advice?

We look forward to your email to products@ettinger.de.

Subject to change and errors.