

Article datasheet

## Self-Clinching Nut M4 | 1.5 Tin-Plated Steel

Article-No.: 002.17.141

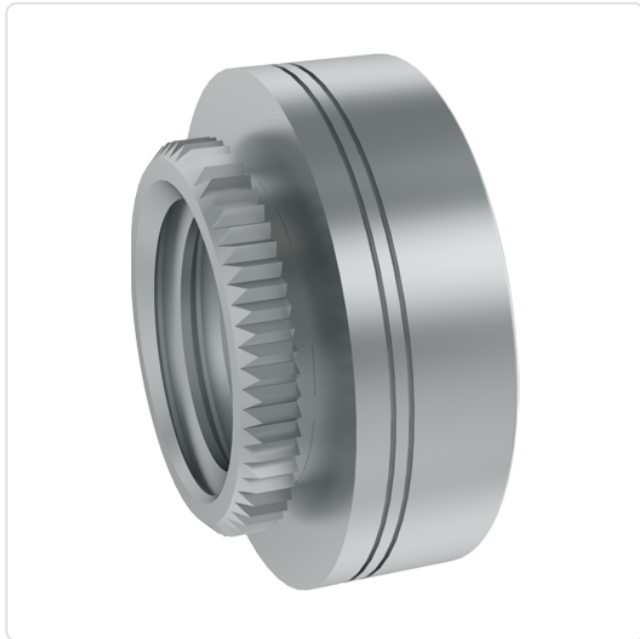
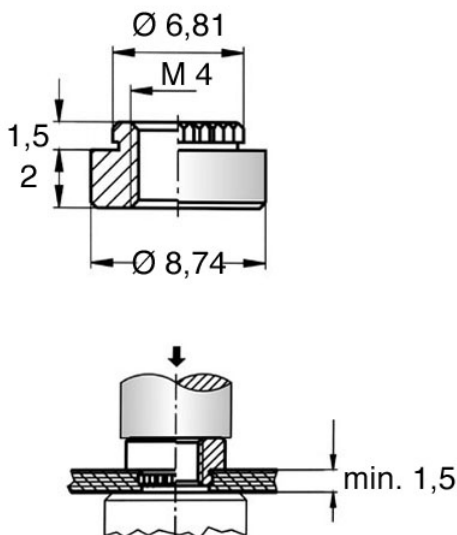


Image may be similar

Area of Application:	For Plastics
Finish:	Tin-Plated
Height [mm]:	2
Material:	Steel
Minimum Edge Distance [mm]:	6.4
Outer Diameter [mm]:	8.74
Panel Hole Ø [mm]:	6.4
Panel Thickness [mm]:	1,5
Thread Size:	M4
Weight:	1.01g
Conformities:	



You can find all  
information on the web on  
our article detail page



Would you like individual advice?

We look forward to your email to [products@ettinger.de](mailto:products@ettinger.de).

Subject to change and errors.