

Article datasheet

Retaining Ring Ø7.0/12.0 x 0.55 Phosphated Spring Steel

Article-No.: 003.15.507

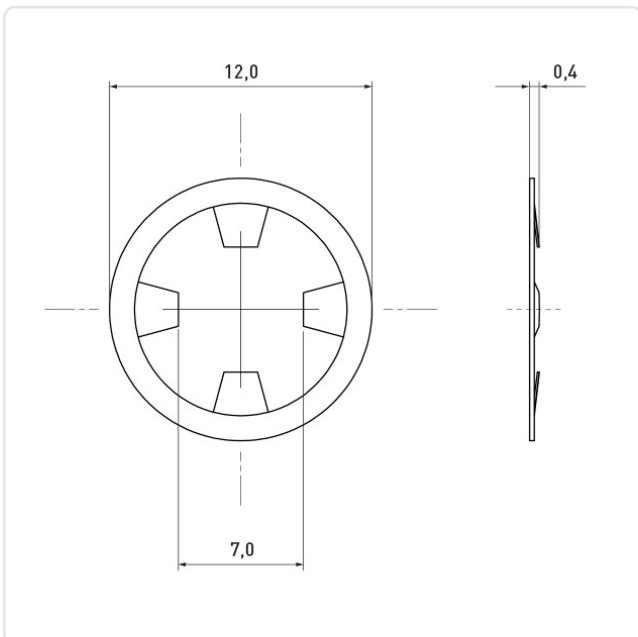


Image may be similar

Finish: Phosphated
Height [mm]: 0.55
Inner Diameter [mm]: 6.9
Material: Spring Steel
Material Group: Steel
Outer Diameter [mm]: 12
Shaft Diameter [mm]: 7
Weight: 0.18g
Conformities:



You can find all information on the web on our article detail page



Would you like individual advice?

We look forward to your email to products@ettinger.de.

Subject to change and errors.