

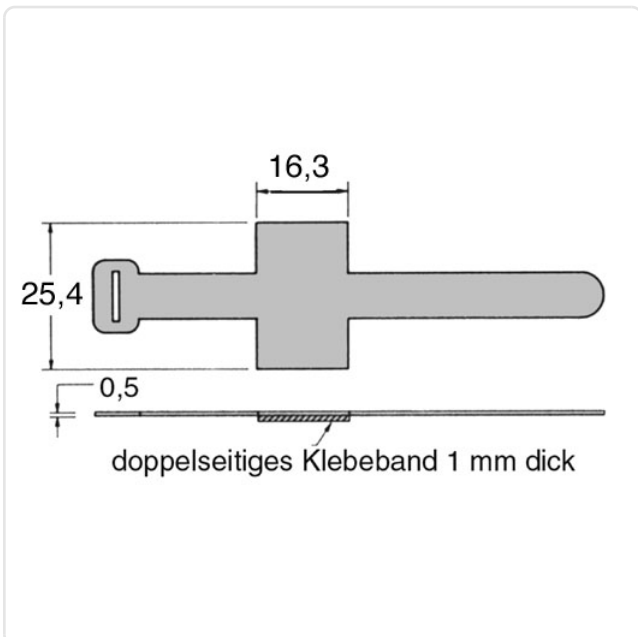
Article datasheet




Buckle Clip ABK max. Bundle ø19.1mm Aluminium with adhesive tape

Article-No.: 072.58.809



Image may be similar



Bundle Diameter [mm]:	10,0-25,0
Color:	Natural
Material:	Aluminum ENAW-5754 / AlMg3, lead-free
Material Group:	Aluminum
Model:	Retaining Tab Bendable
Width [mm]:	16.3
Weight:	1.6g
Conformities:	  



You can find all information on the web on our article detail page

Would you like individual advice?

We look forward to your email to products@ettinger.de.

Subject to change and errors.