

Article datasheet

## Solder Terminal Pin 2.8x13.8mm Brass silver-plated 0.6mm

Article-No.: 013.13.893

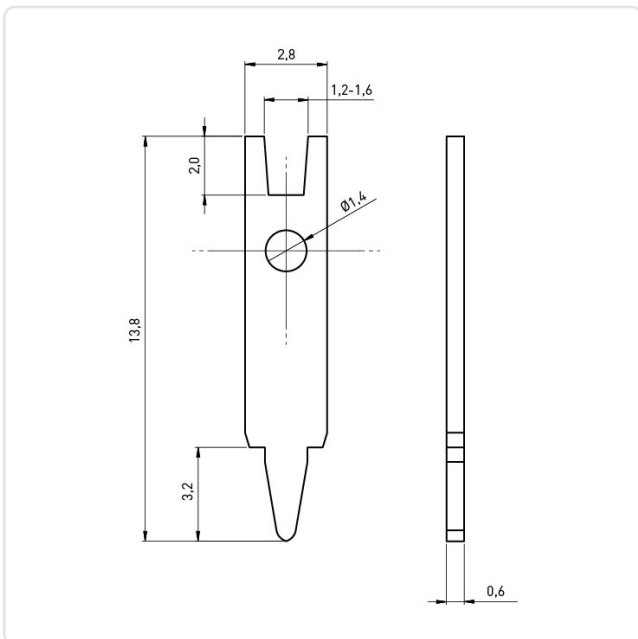


Image may be similar

Diameter [mm]: 2.8  
Finish: Silver-Plated  
Length [mm]: 13.8  
Material: Brass CW508L / CuZn37, lead-free  
Material Group: Brass  
Model: flat  
PCB Hole Ø [mm]: 1.4  
Weight: 0.14g  
Conformities:



You can find all information on the web on our article detail page



Would you like individual advice?

We look forward to your email to [products@ettinger.de](mailto:products@ettinger.de).

Subject to change and errors.