

Article datasheet

## Plastic carrying handle 35/28.5mm Polyamid 6 black/max. 250N

Article-No.: 029.65.350

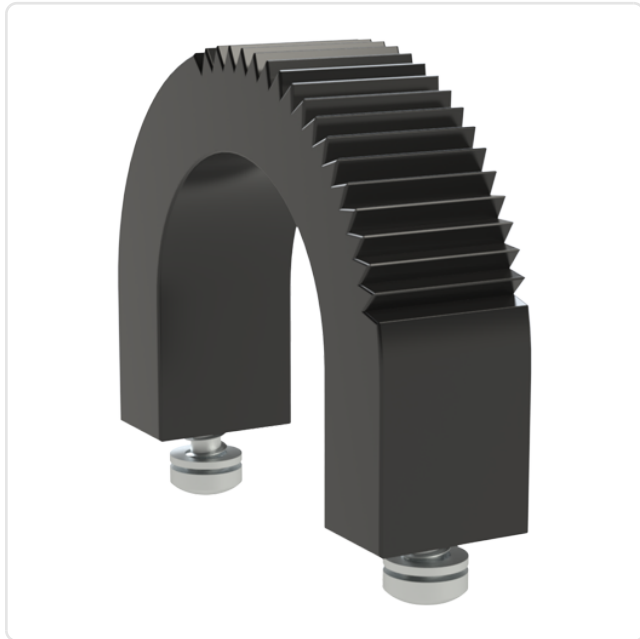
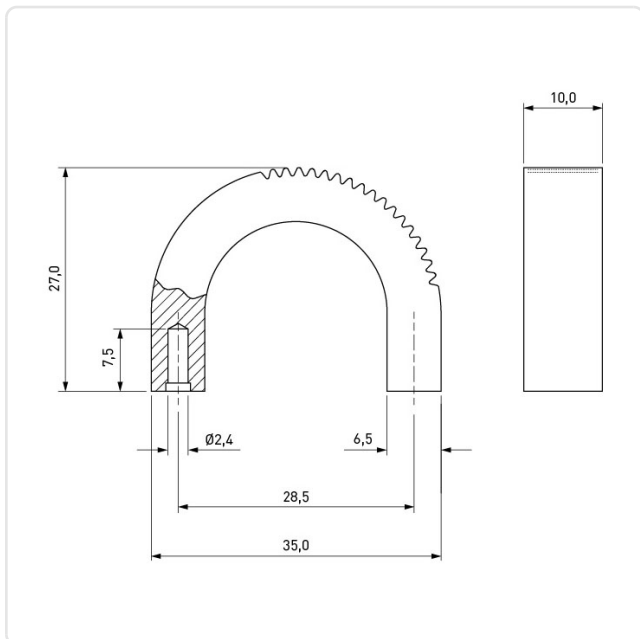


Image may be similar

Color:	Black
Dist. Mounting Holes [mm]:	28.5
Height [mm]:	27
Material:	PA 6.0 25% GF
Material Group:	Plastic
Model:	Collapsible Handle
Width [mm]:	35
Weight:	5.51g
Conformities:	



You can find all information on the web on our article detail page



Would you like individual advice?

We look forward to your email to [products@ettinger.de](mailto:products@ettinger.de).

Subject to change and errors.