

Article datasheet

PC Mount Screw Terminal M3 thread Brass tinned for PCB mounting

Article-No.: 013.20.316

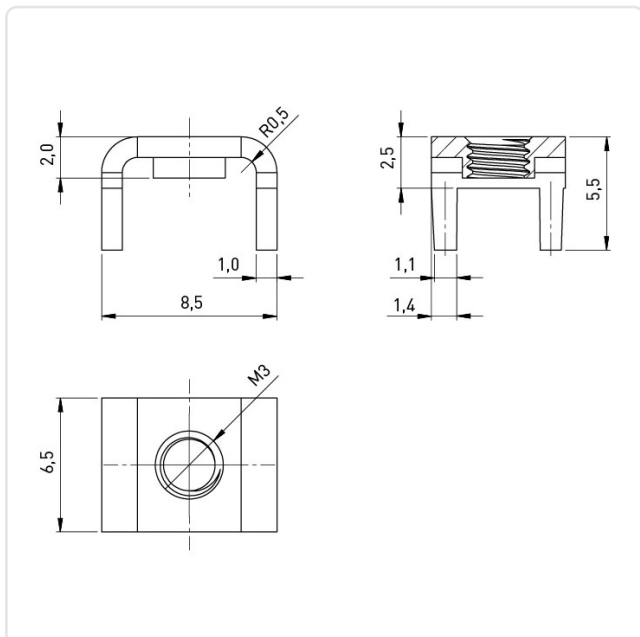


Image may be similar

Finish: Tin-Plated
Grid [mm]: 7.5
Material: Brass
Material Group: Messing
PCB Hole Ø [mm]: 1.6
Thread Size: M3
Weight: 0.61g
Conformities:



You can find all
information on the web on
our article detail page



Would you like individual advice?

We look forward to your email to products@ettinger.de.

Subject to change and errors.