

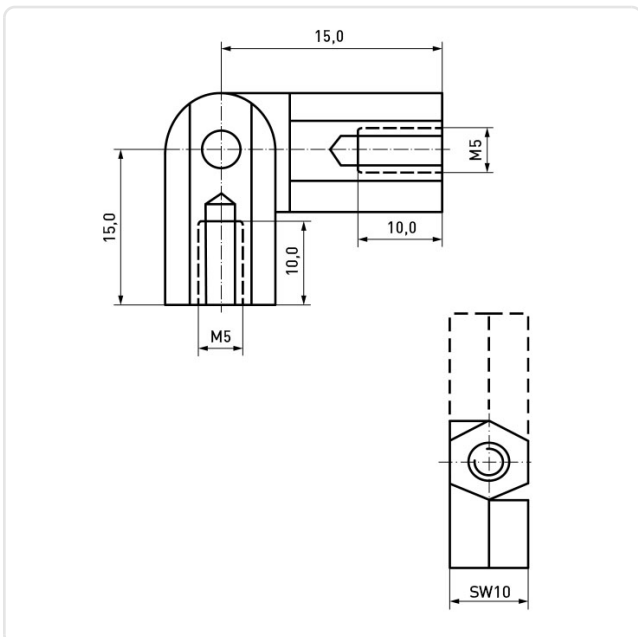
Article datasheet

## Hinged-Standoffs M5/SW10x30 Steel zinc plated

Article-No.: 005.25.301



Image may be similar



Finish: Galvanized, Blue, 5 µm, A2K  
Leg Length 1 [mm]: 15  
Leg Length 2 [mm]: 15  
Length [mm]: 30  
Material: Steel  
Material Group: Steel  
Model: Female/Female  
Thread 1 Size: M5  
Thread 2 Size: M5  
Weight: 17g  
Conformities:



You can find all information on the web on our article detail page

Would you like individual advice?

We look forward to your email to [products@ettinger.de](mailto:products@ettinger.de).

Subject to change and errors.