

Article datasheet

Fast On DIN 46247 4.8x0.5mm Brass tinned 0.5-1.0mm² AWG22-18

Article-No.: 012.45.105

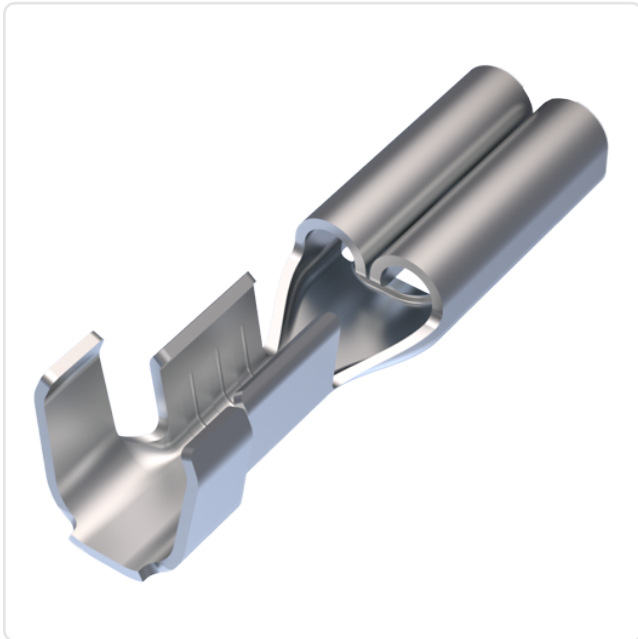
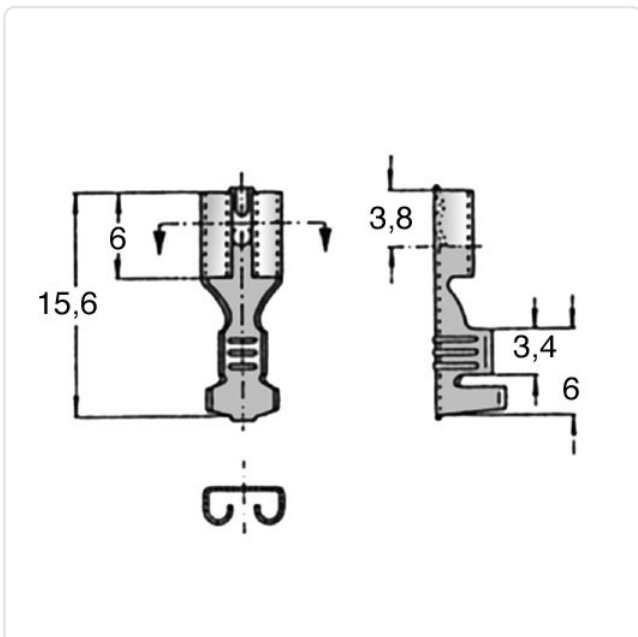


Image may be similar

Finish:	Tin-Plated
Length [mm]:	15.6
Material:	Brass
Material Group:	Messing
Size [mm]:	4.8x0.5
Wire Cross Section [mm ²]:	0.5-1.0
Weight:	0.41g
Conformities:	



You can find all
information on the web on
our article detail page



Would you like individual advice?

We look forward to your email to products@ettinger.de.

Subject to change and errors.