

Article datasheet

## Male Jumper pitch 2.54mm $\varnothing$ 0.5mm Brass tinned

Article-No.: 013.07.415

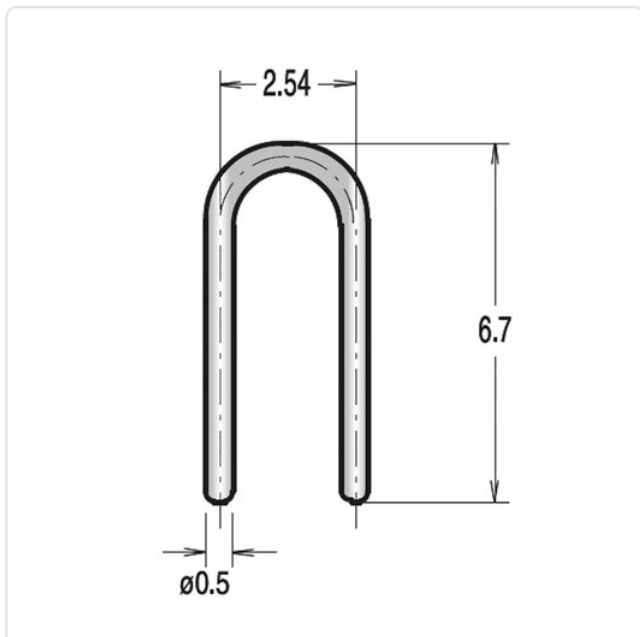


Image may be similar

Finish: Tin-Plated  
Grid [mm]: 2.54  
Material: Brass  
Material Group: Messing  
Plug-In Length [mm]: 6.7  
Weight: 0.02g  
Conformities:



You can find all information on the web on our article detail page



Would you like individual advice?

We look forward to your email to [products@ettinger.de](mailto:products@ettinger.de).

Subject to change and errors.