

Article datasheet

## Fast On 2.8x0.5mm 0.5-1.5mm<sup>2</sup> PVC red UL-listed E329381

Article-No.: 012.25.112

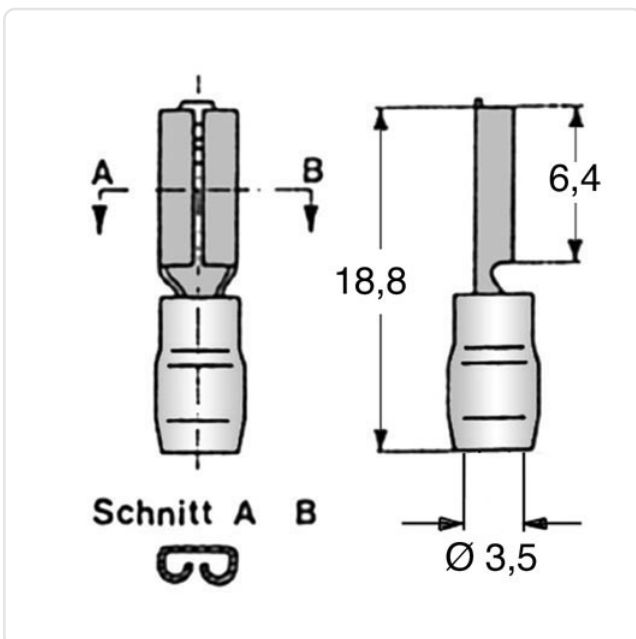


Image may be similar

Color:	Red
DIN/ISO:	DIN46245
Finish:	Tin-Plated
Insulation:	PVC
Length [mm]:	18.8
Material:	Electrolytic Copper
Material Group:	Kupfer
Size [mm]:	2.8x0.5
Wire Cross Section [mm <sup>2</sup> ]:	0.5-1.5
Weight:	0.63g
Conformities:	



You can find all  
information on the web on  
our article detail page



Would you like individual advice?

We look forward to your email to [products@ettinger.de](mailto:products@ettinger.de).

Subject to change and errors.