

Article datasheet

Fast On 6.3x0.8mm male-female 90° Brass tinned

Article-No.: 012.68.935

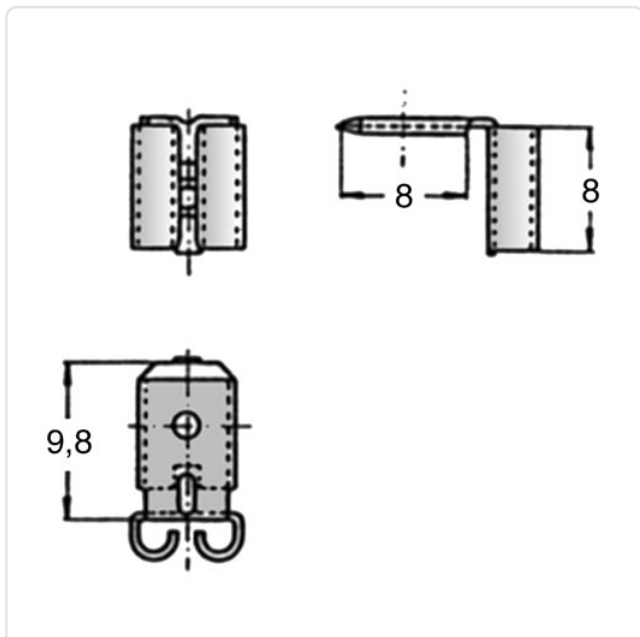


Image may be similar

Finish: Tin-Plated
Length [mm]: 9.8
Material: Brass
Material Group: Brass
Size [mm]: 6.3x0.8
Weight: 0.76g
Conformities:



You can find all information on the web on our article detail page



Would you like individual advice?

We look forward to your email to products@ettinger.de.

Subject to change and errors.