

Article datasheet

## Auto Blade Holder 5.2x0.64mm/30A Brass,tin-nickel plate/UL-R E354010

Article-No.: 015.06.192

Manufacturer: Keystone Electronics

Manufacturer article-no.: 3557-15

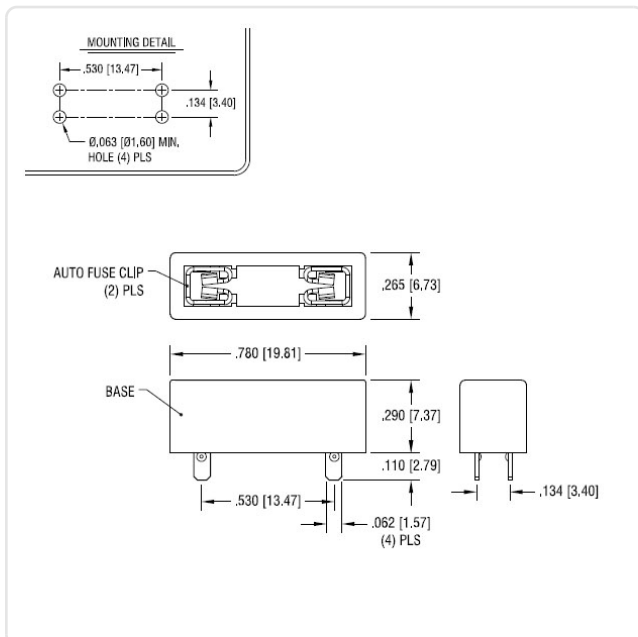


Image may be similar

Amperage [A]: 30  
 Fuse Size [mm]: 5.2x0.64  
 Material: Brass  
 Material Group: Brass  
 Model: Fuse Holder  
 Mounting Hole [mm]: 1.6  
 Weight: 1.6g  
 Conformities:



You can find all information on the web on our article detail page



Would you like individual advice?

We look forward to your email to [products@ettinger.de](mailto:products@ettinger.de).

Subject to change and errors.