

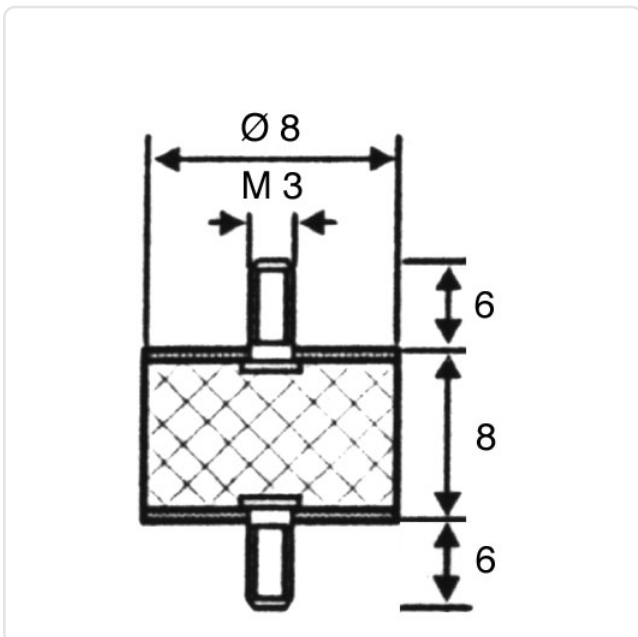
Article datasheet

## Vibration Mount, cylindrical / Outside/Outside Thread

Article-No.: 071.33.333



Image may be similar



Diameter [mm]:	8
Finish:	Galvanized, Blue, 5 µm, A2K
Height [mm]:	8
Male Thread Length [mm]:	6
Material:	Natural Rubber
Material Group:	Plastic
Shore-Hardness:	Grade of Hardness 55-57°
Thread Size:	M3
Weight:	1.41g
Conformities:	



You can find all information on the web on our article detail page

Would you like individual advice?

We look forward to your email to [products@ettinger.de](mailto:products@ettinger.de).

Subject to change and errors.