

Article datasheet

Solder terminal 1.9x6.0mm Bronze tinned 0.5mm thick

Article-No.: 013.13.465

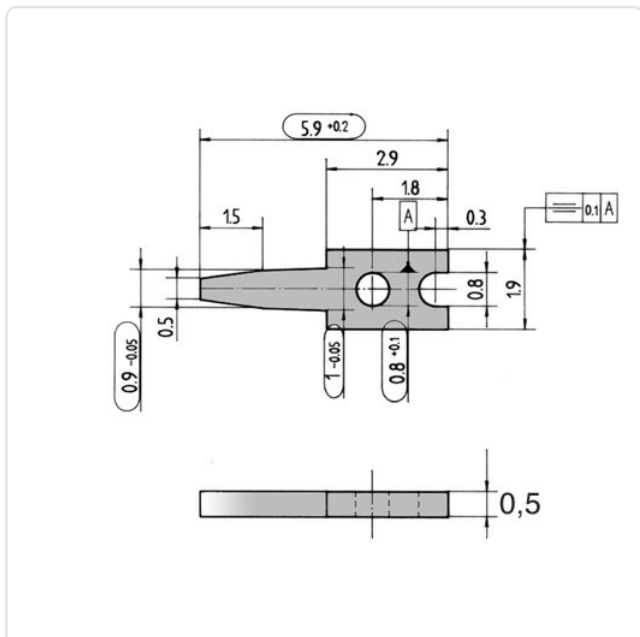


Image may be similar

Diameter [mm]: 1.9
Finish: Tin-Plated
Length [mm]: 6
Material: Bronze
Material Group: Bronze
Model: flat
PCB Hole Ø [mm]: 1
Weight: 0.03g
Conformities:



You can find all information on the web on our article detail page



Would you like individual advice?

We look forward to your email to products@ettinger.de.

Subject to change and errors.