

Article datasheet

Wire Saddle 9.1x7.3mm ø3.8mm 2.0mm Polyamid 6.6 UL94-V2 E70062

Article-No.: 072.58.776

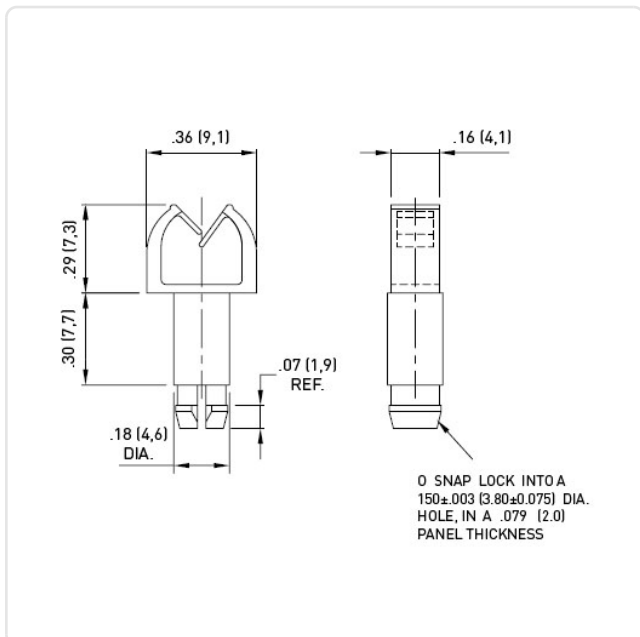


Image may be similar

Bundle Diameter [mm]: 5,0-10,0
 Color: Natural
 Height [mm]: 7.7
 Material: PA 6.6
 Mounting Hole [mm]: 3.8
 Panel Thickness [mm]: 2,0mm
 Width [mm]: 9.1
 Weight: 0.2g
 Conformities:



You can find all information on the web on our article detail page



Would you like individual advice?

We look forward to your email to products@ettinger.de.

Subject to change and errors.