

Article datasheet

Sleeve Insulator 6.3mm for 0.5-2.5mm² Polyamide natural

Article-No.: 012.99.611

Manufacturer: SES-Sterling

Manufacturer article-no.: 0651 0002 018

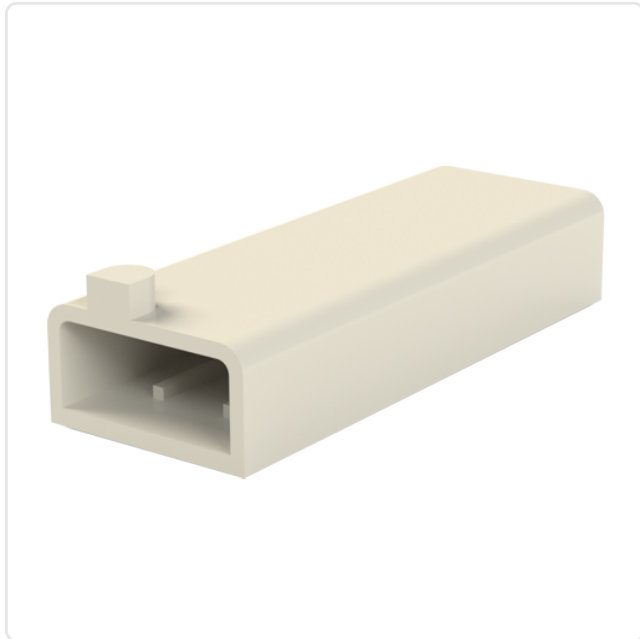
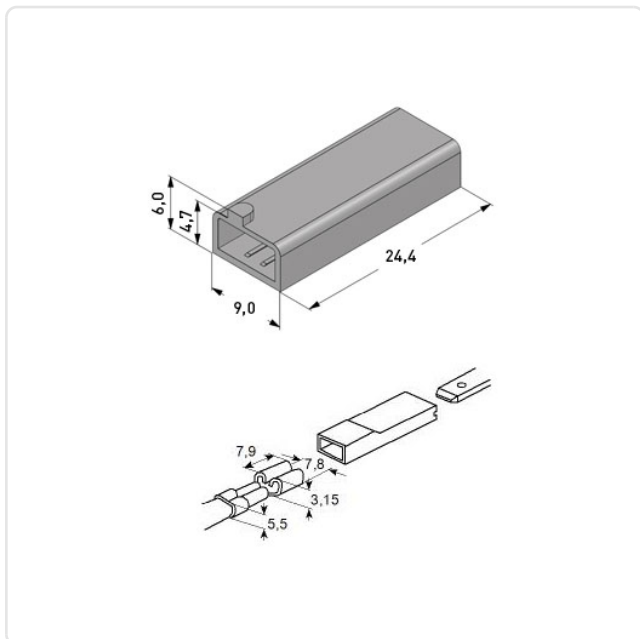


Image may be similar

Color: Natural
Insulation: Polyamide
Length [mm]: 25
Material: PA 6.6
Material Group: Plastic
Weight: 0.36g
Conformities:



You can find all information on the web on our article detail page



Would you like individual advice?

We look forward to your email to products@ettinger.de.

Subject to change and errors.