

Article datasheet

Insulated end splice 0.5-1.25mm² Polyamid,transparent/Not UL listed

Article-No.: 018.72.112

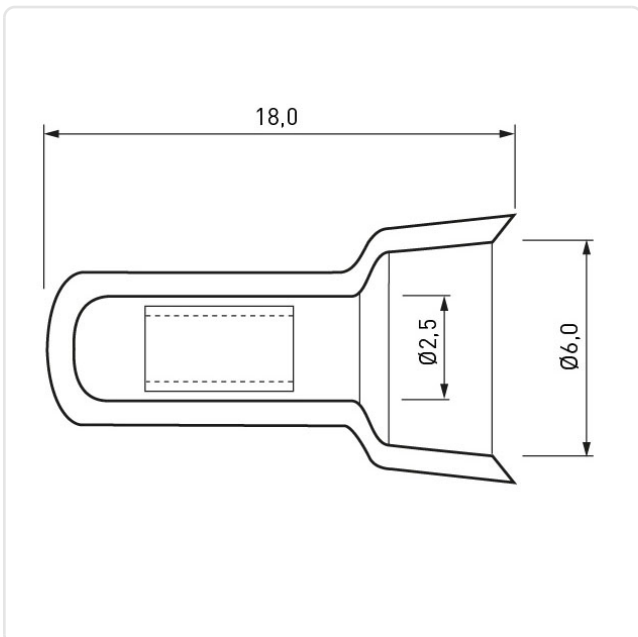


Image may be similar

Color:	Transparent
Finish:	Tin-Plated
Insulation:	Polyamide
Length [mm]:	18
Material:	Electrolytic Copper
Wire Cross Section [mm ²]:	0.5-1.25
Weight:	0.47g
Conformities:	



You can find all
information on the web on
our article detail page



Would you like individual advice?

We look forward to your email to products@ettinger.de.

Subject to change and errors.