

Article datasheet

Strip Header 1x 40-pole with Insulator 1.7mm

Article-No.: 022.08.404

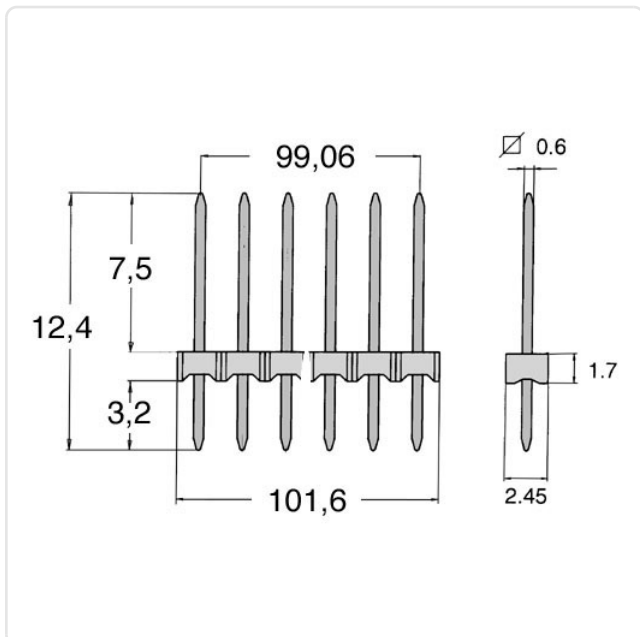


Image may be similar

Finish: Gold-Plated
Grid [mm]: 2.54
Material: Phosphor Bronze
Material Group: Bronze
Plug-In Length [mm]: 7.5
Weight: 2.16g
Conformities:



You can find all information on the web on our article detail page



Would you like individual advice?

We look forward to your email to products@ettinger.de.

Subject to change and errors.