

Article datasheet

## Split Washer DIN127 B $\text{\O}2.9/4.7 \times 0.8$ Galvanized Spring Steel

Article-No.: 003.63.027

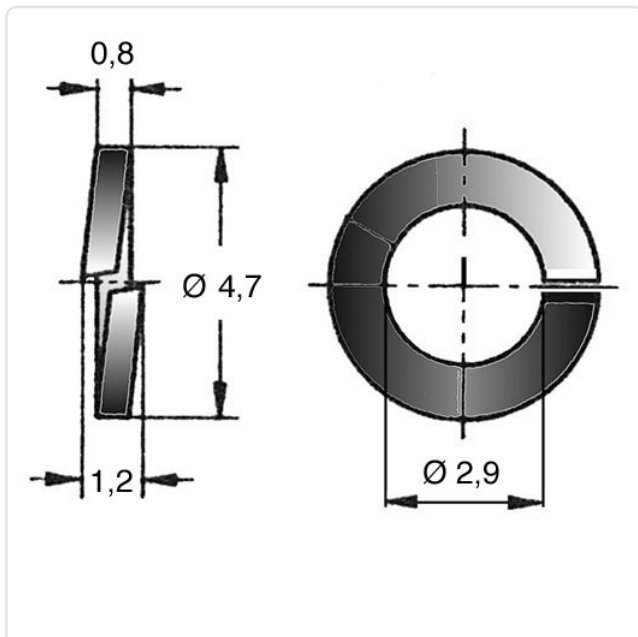


Image may be similar

DIN/ISO:	DIN127B
Finish:	Galvanized, Blue, 5 $\mu\text{m}$ , A2K
Height [mm]:	0.8
Inner Diameter [mm]:	2.9
Material:	Spring Steel
Material Group:	Stahl
Outer Diameter [mm]:	4.7
Weight:	0.07g
Conformities:	



You can find all information on the web on our article detail page



Would you like individual advice?

We look forward to your email to [products@ettinger.de](mailto:products@ettinger.de).

Subject to change and errors.