

Article datasheet

Elbow Cable Gland PG9 4-8mm² black can be opened by 90°

Article-No.: 014.21.720

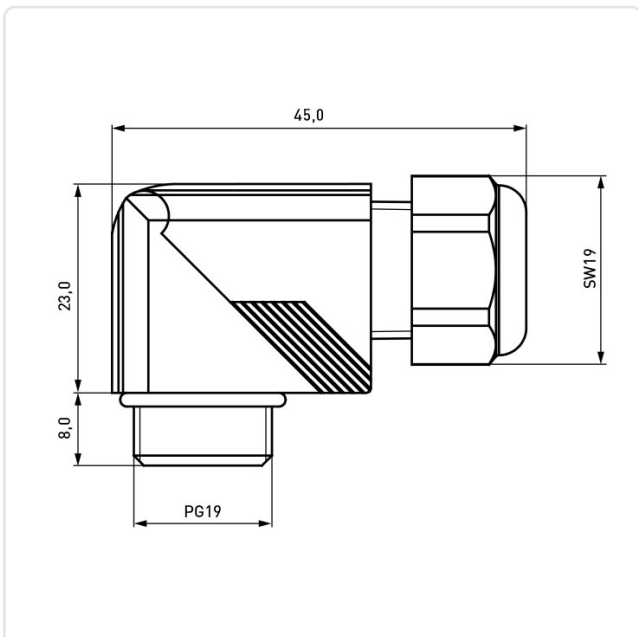


Image may be similar

AF / OD [mm]:	19
Color:	Black
Material:	PA 6.0
Material Group:	Plastic
Mounting Hole [mm]:	15.7
Panel Thickness Range [mm]:	4.0-8.0
Protection Code:	IP68
Weight:	15.6g
Conformities:	



You can find all information on the web on our article detail page



Would you like individual advice?

We look forward to your email to products@ettinger.de.

Subject to change and errors.