

Article datasheet

Hole Plug $\varnothing 11/6 \times 6.8$ mm Polyethylene, white (RAL 9010)

Article-No.: 014.14.601

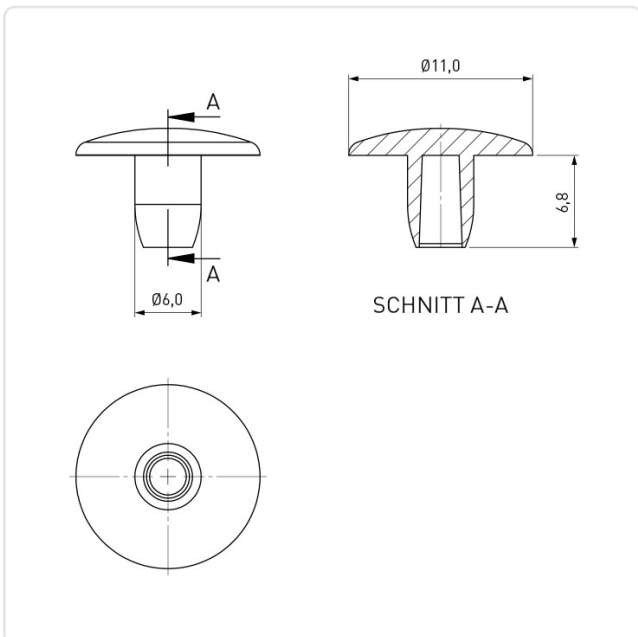


Image may be similar

Color: White
Inner Diameter [mm]: 6
Material: PE - Polyethylene
Material Group: Plastic
Model: Hole Plug
Outer Diameter [mm]: 11
Weight: 0.21g
Conformities:



You can find all
information on the web on
our article detail page



Would you like individual advice?

We look forward to your email to products@ettinger.de.

Subject to change and errors.