

Article datasheet

Fan Guard Set 80x80mm/45ppi Plastic black

Article-No.: 059.88.500

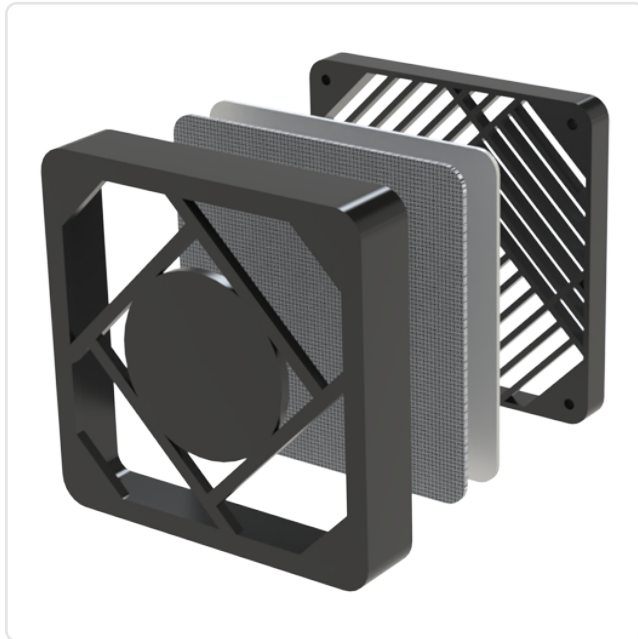
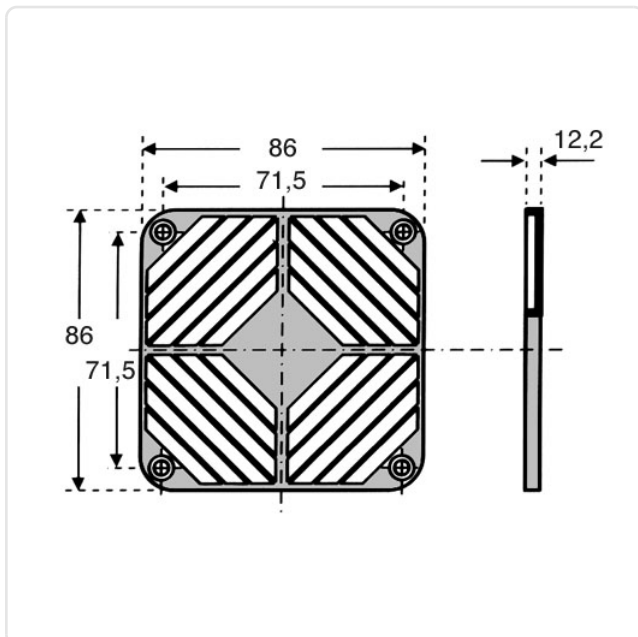


Image may be similar

Air Flow [ppi]: 45
Color: Black
Length [mm]: 80
Lüftergröße [mm]: 80
Material: Plastic
Material Group: Plastic
Model: Set
Weight: 32.16g
Conformities:



You can find all information on the web on our article detail page



Would you like individual advice?

We look forward to your email to products@ettinger.de.

Subject to change and errors.