

Article datasheet

Contact Washer $\varnothing 4.2/8.0 \times 0.8$ White Galv. Spring Steel

Article-No.: 003.20.041

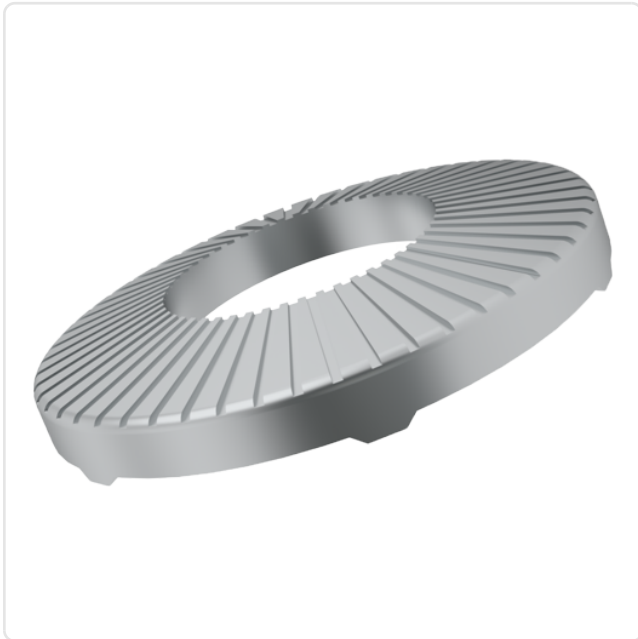
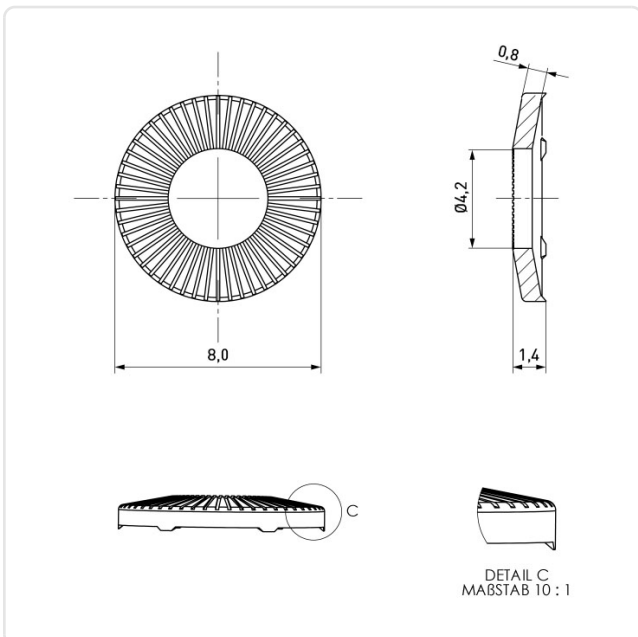


Image may be similar

Finish: Galvanized, White, 15–25 μm
For Thread Size: M4
Height [mm]: 0.8
Inner Diameter [mm]: 4.2
Material: Spring Steel
Material Group: Stahl
Outer Diameter [mm]: 8
Weight: 0.22g
Conformities:



You can find all information on the web on our article detail page



Would you like individual advice?

We look forward to your email to products@ettinger.de.

Subject to change and errors.