

Article datasheet

Insulating sleeve 6.3mm 90° PVC black

Article-No.: 012.99.600

Manufacturer: SES-Sterling

Manufacturer article-no.: 0105 0005 010

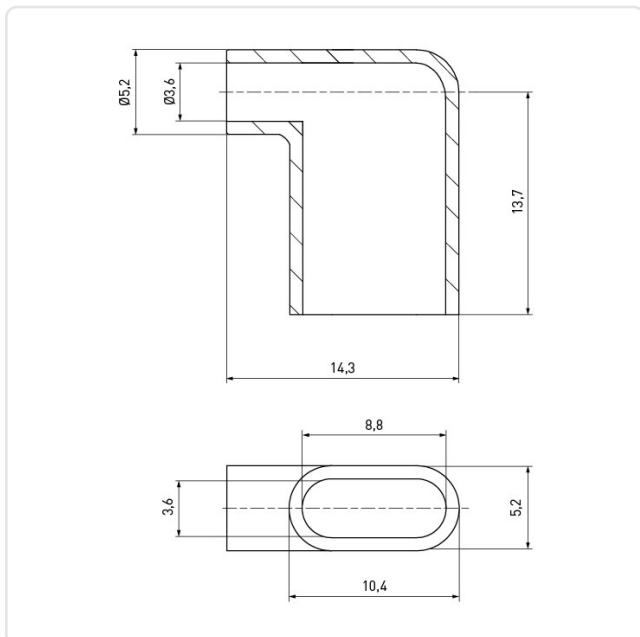


Image may be similar

Color: Black
Insulation: PVC
Length [mm]: 17
Material: PVC - Polyvinyl Chloride
Material Group: Plastic
Weight: 0.46g
Conformities:



You can find all
information on the web on
our article detail page



Would you like individual advice?

We look forward to your email to products@ettinger.de.

Subject to change and errors.