

Article datasheet

Fuse Holder Panel-Mount 5x20mm Screw Cap max.6.3A 250V IP66 PC-1

Article-No.: 015.08.660

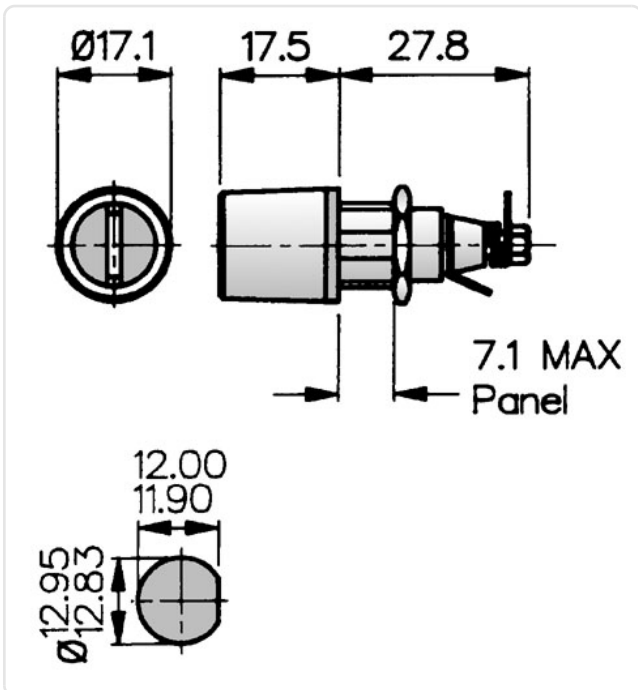


Image may be similar

Amperage [A]: 6.3
Fuse Size [mm]: 5.0x20.0
Material: PA 6.6
Model: Fuse Holder
Mounting Hole [mm]: 12.9
Protection Code: IP66
Weight: 16.2g
Conformities:



You can find all
information on the web on
our article detail page



Would you like individual advice?

We look forward to your email to products@ettinger.de.

Subject to change and errors.