

Article datasheet

## Solder Terminal Pin 2.8x11.0mm Bronze tinned 0.8mm

Article-No.: 013.13.725

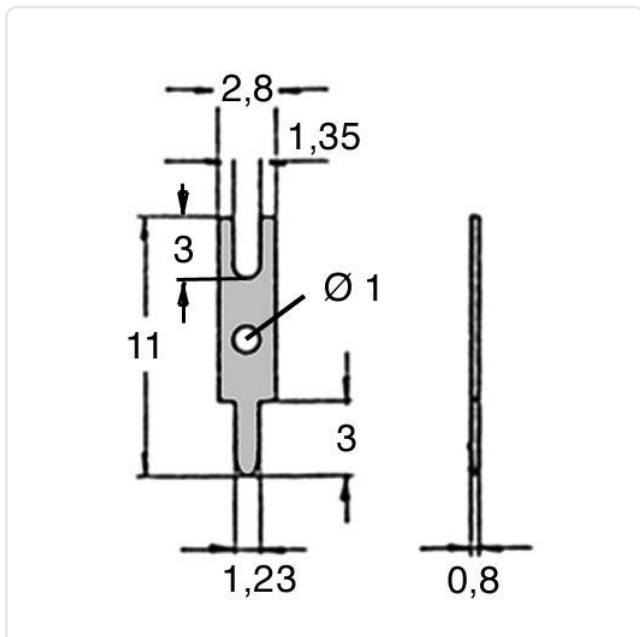


Image may be similar

Diameter [mm]: 2.8  
Finish: Tin-Plated  
Length [mm]: 11  
Material: Bronze  
Material Group: Bronze  
Model: flat  
PCB Hole Ø [mm]: 1.3  
Weight: 0.16g  
Conformities:



You can find all information on the web on our article detail page



Would you like individual advice?

We look forward to your email to [products@ettinger.de](mailto:products@ettinger.de).

Subject to change and errors.