

Article datasheet

Drive Rivet Ø4.0 | 2.5-3.5 Polyamide 4.6 brown

Article-No.: 072.29.430

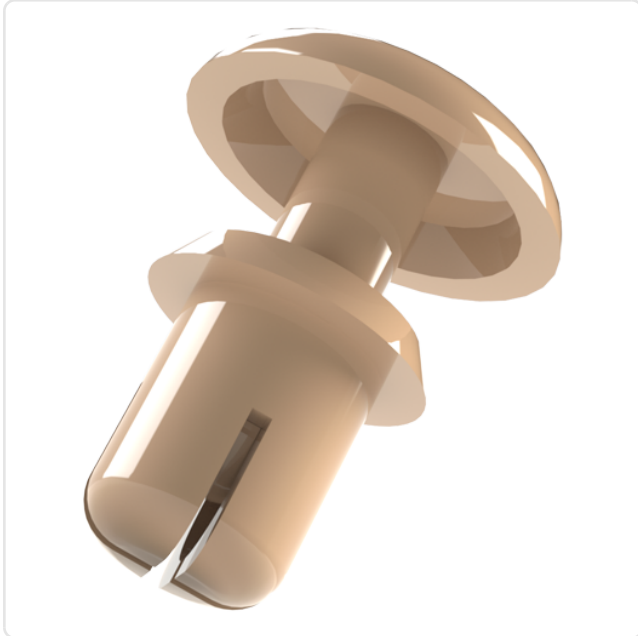
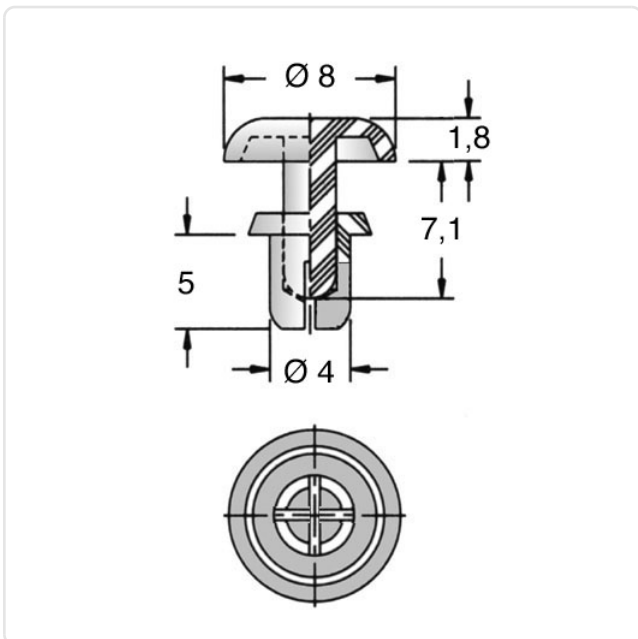


Image may be similar



Color:	Brown
Flammability Class:	UL94-V2
Head Diameter [mm]:	8
Head Height [mm]:	1.8
Length [mm]:	5
Material:	PA 4.6
Model:	removable
Mounting Hole Range [mm]:	Ø 4.0-4.2
Panel Thickness [mm]:	2,5-3,5
Rivet Diameter [mm]:	4
Weight:	0.17g
Conformities:	



You can find all information on the web on our article detail page

Would you like individual advice?

We look forward to your email to products@ettinger.de.

Subject to change and errors.