

Article datasheet

Round Spacer $\text{\O}3.3/5.5 \times 2.5$ Plain Aluminum

Article-No.: 005.73.025

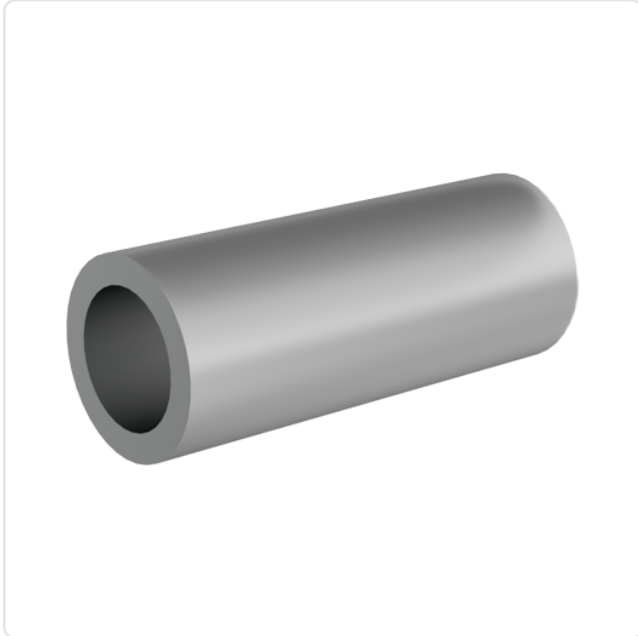
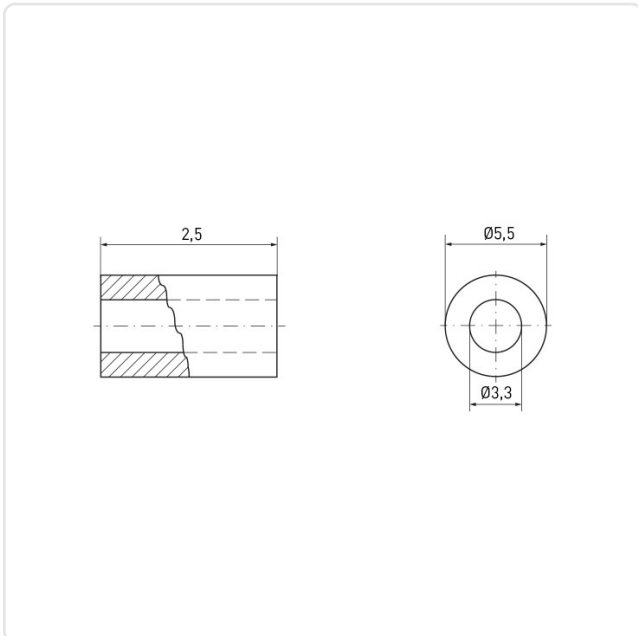


Image may be similar



Finish:	Plain
For Thread Size:	M3
Inner Diameter [mm]:	3.3
Length [mm]:	2.5
Material:	Aluminum ENAW-6060 / AlMgSi, lead-free
Material Group:	Aluminium
Outer Diameter [mm]:	5.5
Weight:	0.1g
Conformities:	



You can find all
information on the web on
our article detail page

Would you like individual advice?

We look forward to your email to products@ettinger.de.

Subject to change and errors.