

Article datasheet

Spiral Wap

Article-No.: 014.76.122

Manufacturer: Panduit

Manufacturer article-no.: T50F-C

PANDUIT™



Image may be similar

Bundle Diameter [mm]: 9,5-101,6

Color: Natural

Diameter [mm]: 12.7

Material: PE - Polyethylene

Model: Spiral Cable Wrap

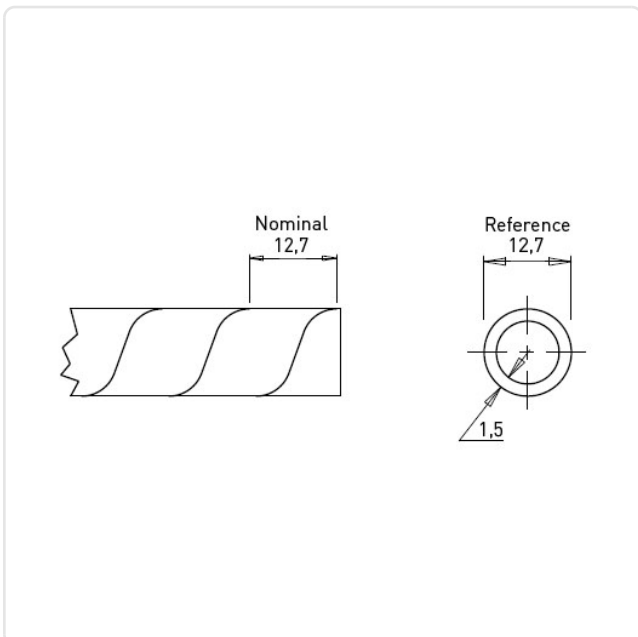
Reel length [m]: 30.5

Weight: 73g

Conformities:



You can find all
information on the web on
our article detail page



Would you like individual advice?

We look forward to your email to products@ettinger.de.

Subject to change and errors.