

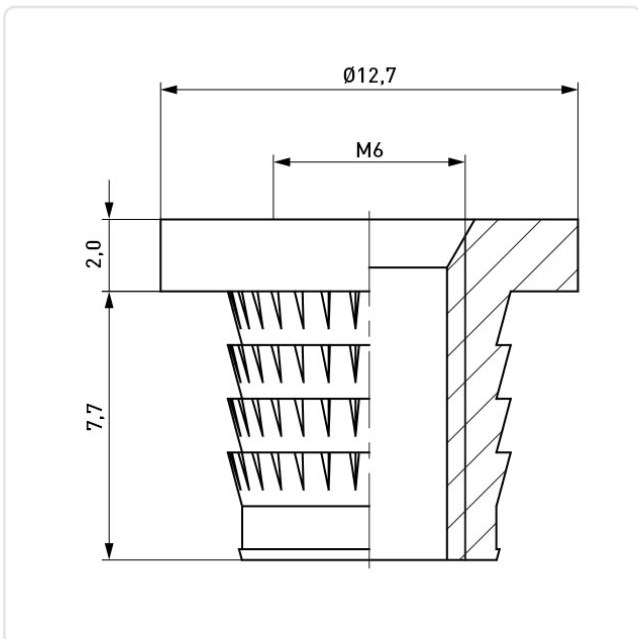
Article datasheet

Thread Insert M6 | 7.7 Plain Brass

Article-No.: 002.21.462



Image may be similar



Finish:	Plain
Head Diameter [mm]:	12.7
Length [mm]:	7.7
Material:	Brass
Material Group:	Brass
Minimum Edge Distance [mm]:	3.3
Panel Hole \varnothing [mm]:	8
Thread Size:	M6
Weight:	3.23g
Conformities:	



You can find all information on the web on our article detail page

Would you like individual advice?

We look forward to your email to products@ettinger.de.

Subject to change and errors.