

Article datasheet

Hex Standoff Threaded M4-M3/SW7x15 Steel zinc plated

Article-No.: 005.60.343

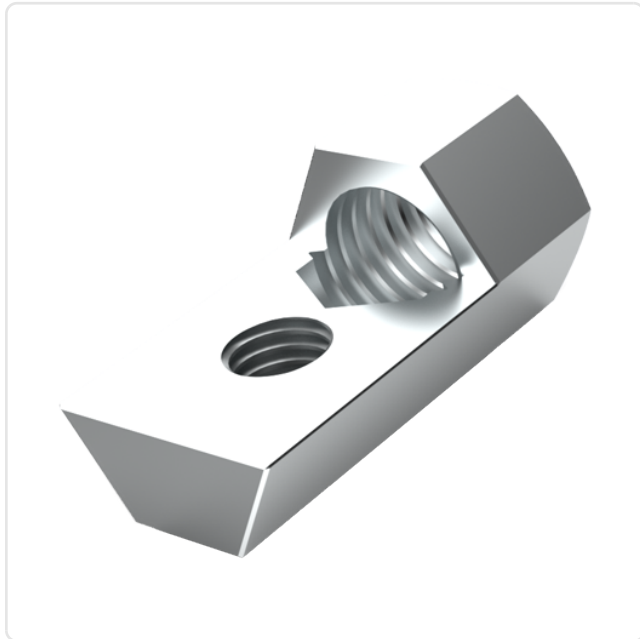
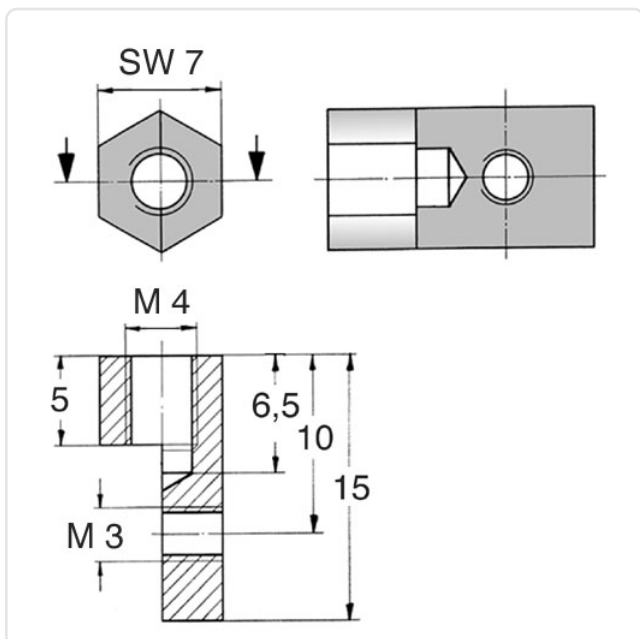


Image may be similar

Finish: Galvanized, Blue, 5 µm, A2K
Length [mm]: 15
Material: Steel AISI 12L13 / 11SMnPb30
Thread 1 / Hole 1: M4
Thread 1 Length [mm]: 5
Thread 2 / Hole 2: M3
Weight: 2.59g
Conformities:



You can find all
information on the web on
our article detail page



Would you like individual advice?

We look forward to your email to products@ettinger.de.

Subject to change and errors.