

Article datasheet

Insulated Standoff PBS-Steel M/M AF6x40 | Thread M3x7 / M3x7

Article-No.: 005.36.340

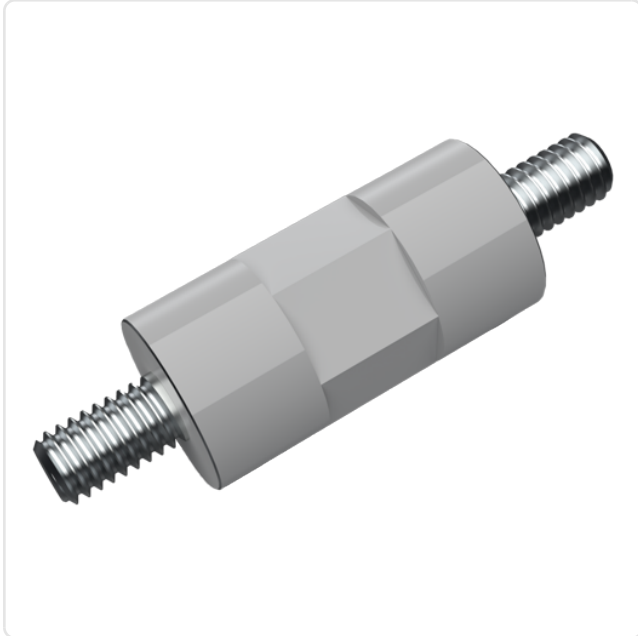
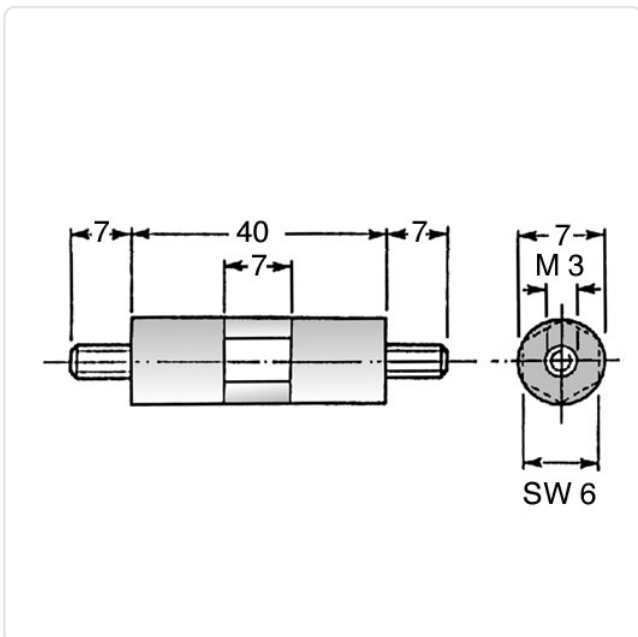


Image may be similar

AF / OD [mm]: 6
Flammability Class: UL94-HB
Length [mm]: 40
Material: PS - Polystyrene
Profile: Hexagonal
Thread 1 Length [mm]: 7
Thread 1 Size: M3
Thread 2 Length [mm]: 7
Thread 2 Size: M3
Thread Insert Material: Steel
Weight: 2.6g
Conformities:



You can find all
information on the web on
our article detail page



Would you like individual advice?

We look forward to your email to products@ettinger.de.

Subject to change and errors.