

Article datasheet

Modular Housing

Article-No.: 088.40.250

Manufacturer: OKW Gehäusesysteme

Manufacturer article-no.: A8040250

OKW
GEHÄUSE
SYSTEME

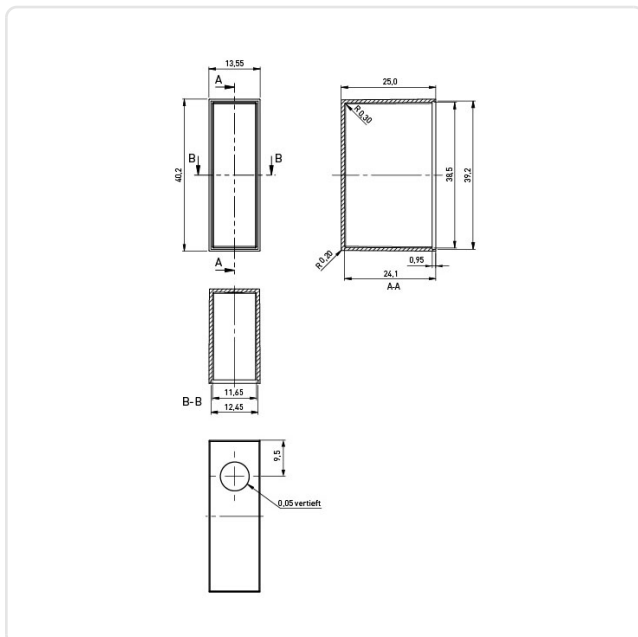


Image may be similar

Color: Black
Height [mm]: 25
Length [mm]: 40
Material: ABS - Acrylonitrile Butadiene Styrene
Material Group: Plastic
Model: Enclosure without Base Plate
Width [mm]: 13.5
Weight: 3.57g
Conformities:



You can find all
information on the web on
our article detail page



Would you like individual advice?

We look forward to your email to products@ettinger.de.

Subject to change and errors.