

Article datasheet

## Interlocking Hose Clamp Ø17.0-20.6 Polyamide 6.6 black

Article-No.: 014.43.200

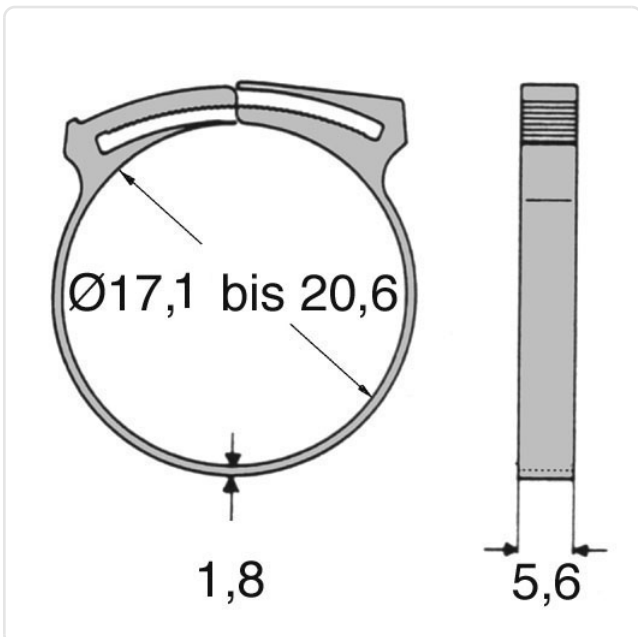


Image may be similar

|                             |           |
|-----------------------------|-----------|
| Color:                      | Black     |
| Flammability Class:         | UL94-V2   |
| Material:                   | PA 6.6    |
| Panel Thickness Range [mm]: | 17,0-20,6 |
| Thickness [mm]:             | 1.8       |
| Width [mm]:                 | 5.6       |
| Weight:                     | 2.41g     |
| Conformities:               |           |



You can find all information on the web on our article detail page



Would you like individual advice?

We look forward to your email to [products@ettinger.de](mailto:products@ettinger.de).

Subject to change and errors.