

Article datasheet

## Reduce sleeve d1=3mm/d2=4mm/H=8mm Brass zinedc

Article-No.: 062.72.433

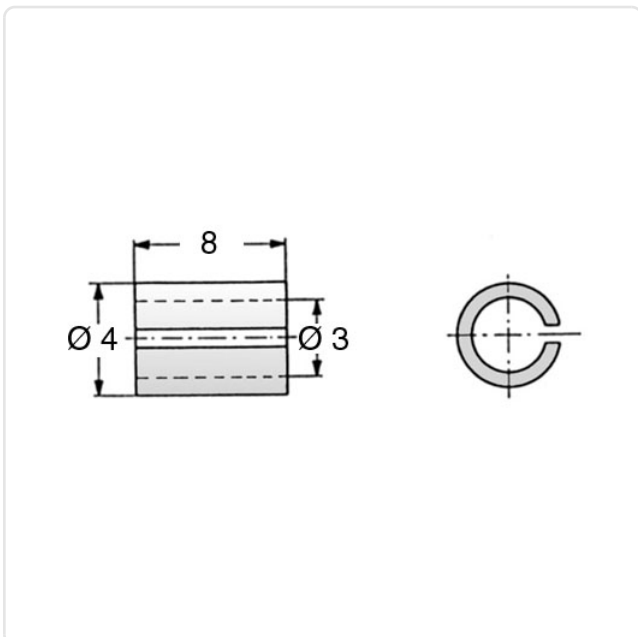


Image may be similar

Height [mm]: 8  
Inner Diameter [mm]: 3  
Material: Brass  
Material Group: Brass  
Model: Reducing Bush  
Outer Diameter [mm]: 4  
Weight: 0.31g  
Conformities:



You can find all  
information on the web on  
our article detail page



Would you like individual advice?

We look forward to your email to [products@ettinger.de](mailto:products@ettinger.de).

Subject to change and errors.