

Article datasheet

## Square Nut 12.0/7.0/2.0 2xM3 Galvanized Steel

Article-No.: 002.16.321

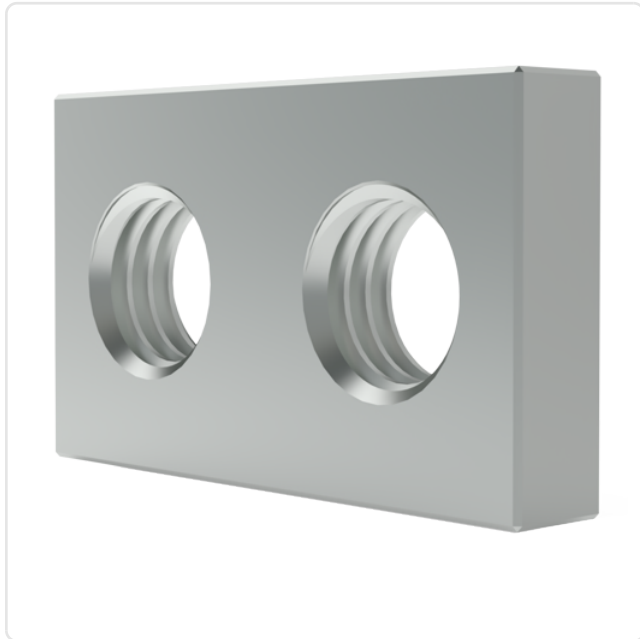
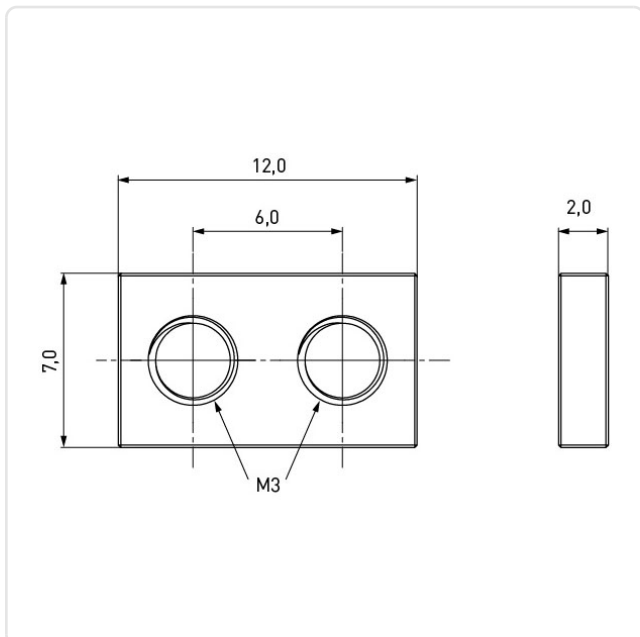


Image may be similar

AF / OD [mm]: 7  
Finish: Galvanized, Blue, 5 µm, A2K  
Height [mm]: 2  
Material: Steel  
Material Group: Steel  
Thread Size: M3  
Weight: 1.07g  
Conformities:



You can find all  
information on the web on  
our article detail page



Would you like individual advice?

We look forward to your email to [products@ettinger.de](mailto:products@ettinger.de).

Subject to change and errors.