

Article datasheet

Cube Standoff Threaded 3xM2,5/12 Brass nickel-plated

Article-No.: 005.60.422

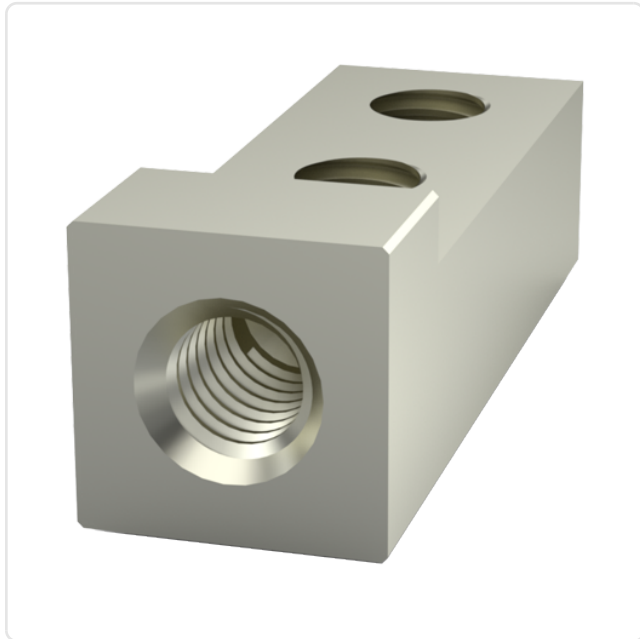
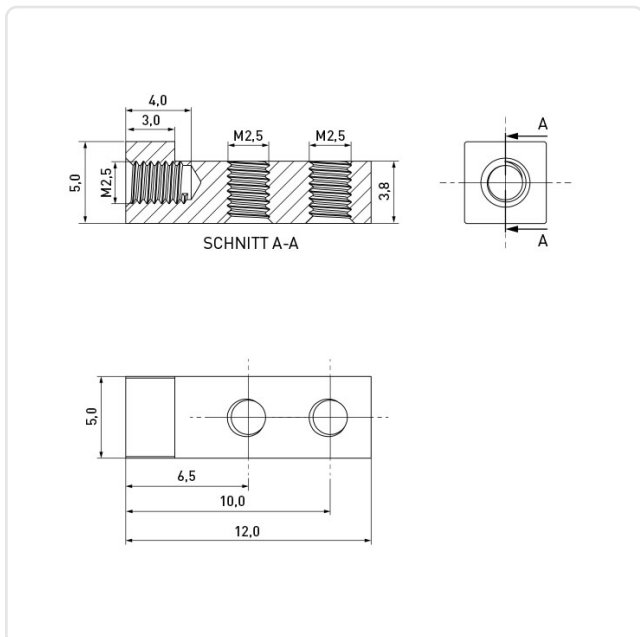


Image may be similar

Finish: Nickel-Plated, 3 µm, E1E
 Length [mm]: 12
 Material: Brass CW614N / CuZn39Pb3
 Thread 1 / Hole 1: M2.5
 Thread 1 Length [mm]: 4
 Thread 2 / Hole 2: M2.5
 Thread 2 Length [mm]: 3.8
 Thread 3 / Hole 3: M2.5
 Thread 3 Length [mm]: 3.8
 Weight: 1.6g
 Conformities:



You can find all
information on the web on
our article detail page



Would you like individual advice?

We look forward to your email to products@ettinger.de.

Subject to change and errors.