

Article datasheet

Blade Terminal 6.3x0.8 | 14.5 Tin-Plated Brass

Article-No.: 019.68.064

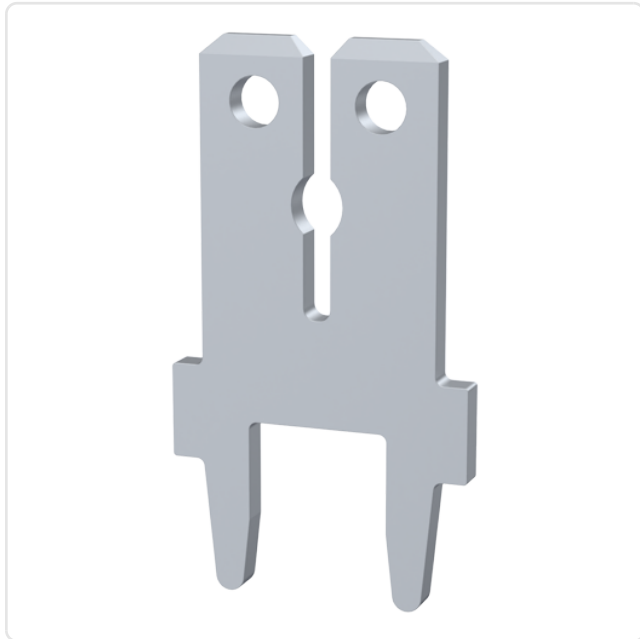


Image may be similar

Bending Angle [°]:	0
Finish:	Tin-Plated
Grid [mm]:	5.08
Length [mm]:	14.5
Material:	Brass
Material Group:	Brass
PCB Hole Ø [mm]:	1.3
Plug-In Length [mm]:	8.5
Size [mm]:	6.3/2x2.8x0.8
Tabs:	1
Weight:	0.43g
Conformities:	



You can find all information on the web on our article detail page

Would you like individual advice?

We look forward to your email to products@ettinger.de.

Subject to change and errors.

