

Article datasheet

## Parallel Connector DIN 46341-A1 Copper tinned without insulation

Article-No.: 018.70.015

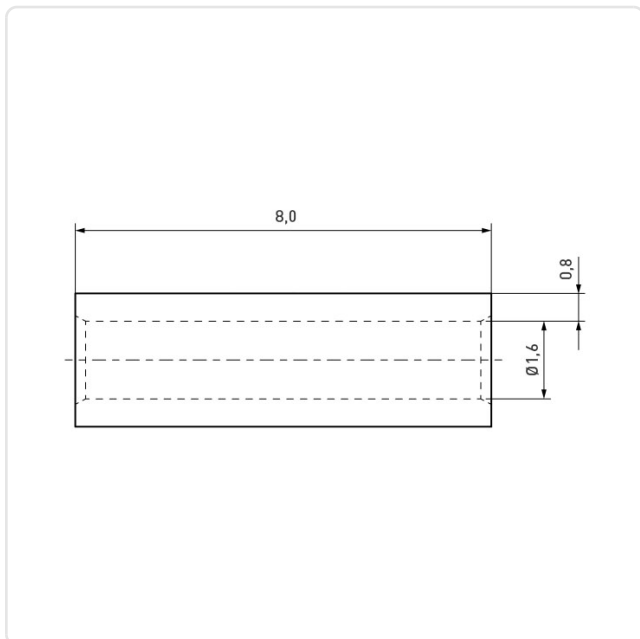


Image may be similar

DIN/ISO: DIN46341  
Finish: Tin-Plated  
Length [mm]: 8  
Material: Electrolytic Copper  
Wire Cross Section [mm<sup>2</sup>]: 0.75-1.0  
Weight: 0.37g  
Conformities:



You can find all  
information on the web on  
our article detail page



Would you like individual advice?

We look forward to your email to [products@ettinger.de](mailto:products@ettinger.de).

Subject to change and errors.