

Article datasheet

Cable Terminal 5-1mm² Polyamide red UL listed E235797

Article-No.: 018.31.752

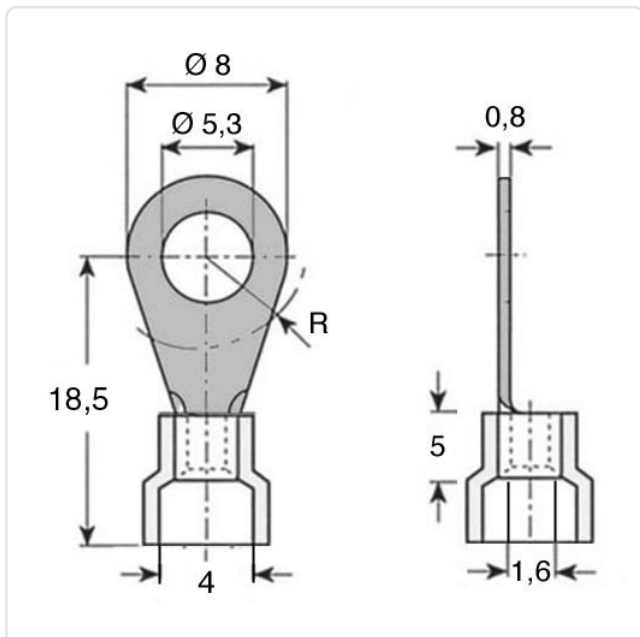


Image may be similar

Color:	Red
DIN/ISO:	DIN46237-A
Finish:	Tin-Plated
For Thread Size:	M5
Insulation:	Polyamide
Material:	Electrolytic Copper
Outer Diameter [mm]:	8
Wire Cross Section [mm ²]:	0.5-1.0
Weight:	0.73g
Conformities:	



You can find all information on the web on our article detail page



Would you like individual advice?

We look forward to your email to products@ettinger.de.

Subject to change and errors.