

Article datasheet

Power-Elements M8 with 10 solder pins rated max. 10A for one Pin

Article-No.: 013.45.782

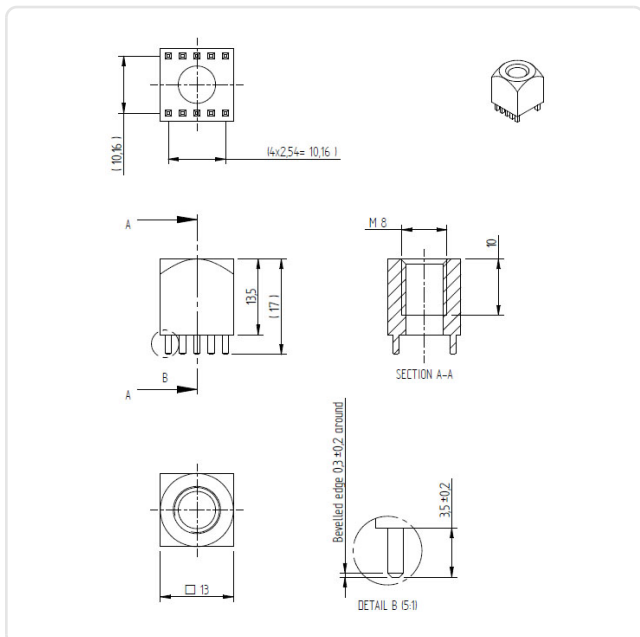


Image may be similar

Amperage [A]: 100
 Finish: Tin-Plated
 Grid [mm]: 2.54
 Material: Brass
 Material Group: Brass
 PCB Hole Ø [mm]: 1.65
 Thread Size: M8
 Weight: 15g
 Conformities:



You can find all information on the web on our article detail page



Would you like individual advice?

We look forward to your email to products@ettinger.de.

Subject to change and errors.