

Article datasheet

## Collapsible handle 105x63.5mm/94mm Aluminium,silver/Holes $\varnothing$ 4.5mm

Article-No.: 029.43.356

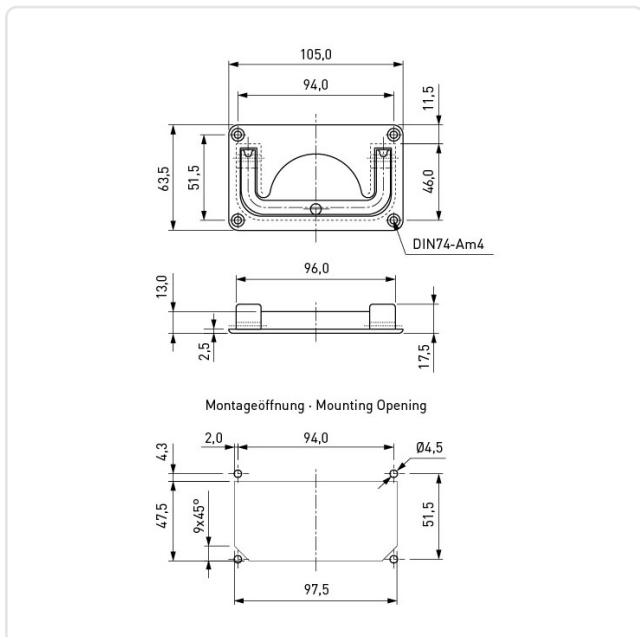


Image may be similar

Dist. Mounting Holes [mm]: 94  
 Height [mm]: 63.5  
 Material: Steel  
 Material Group: Steel  
 Model: Collapsible Handle  
 Width [mm]: 105  
 Weight: 134g  
 Conformities:



You can find all information on the web on our article detail page



Would you like individual advice?

We look forward to your email to [products@ettinger.de](mailto:products@ettinger.de).

Subject to change and errors.