

Article datasheet

## Lock Washer $\text{\O}6.4/10.0 \times 0.7$ Galvanized Spring Steel

Article-No.: 003.04.061

Manufacturer: SCHNORR

Manufacturer article-no.: 450700 S-6

**SCHNORR**  
DISC SPRING ENGINEERING

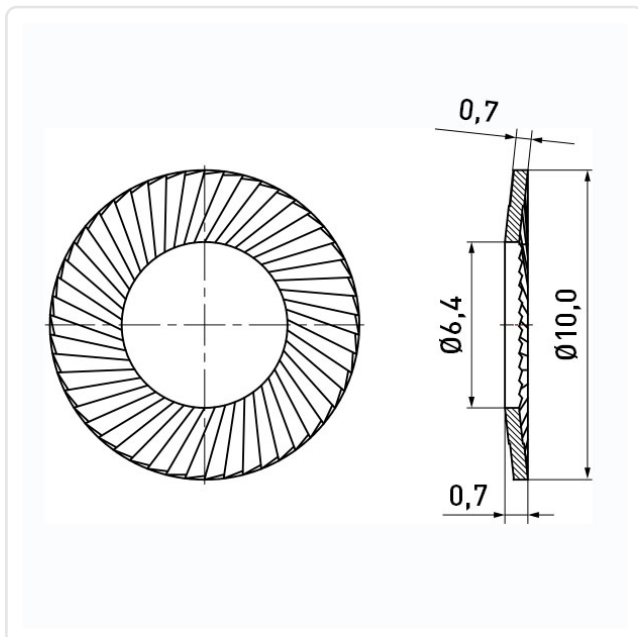


Image may be similar

Finish: Galvanized, Blue, 5  $\mu\text{m}$ , A2K  
For Thread Size: M6  
Height [mm]: 0.7  
Inner Diameter [mm]: 6.4  
Material: Spring Steel  
Outer Diameter [mm]: 10  
Weight: 0.2g  
Conformities:



You can find all  
information on the web on  
our article detail page



Would you like individual advice?

We look forward to your email to [products@ettinger.de](mailto:products@ettinger.de).

Subject to change and errors.